

Schematic representation of the cocoa pod splitter

1 / 10

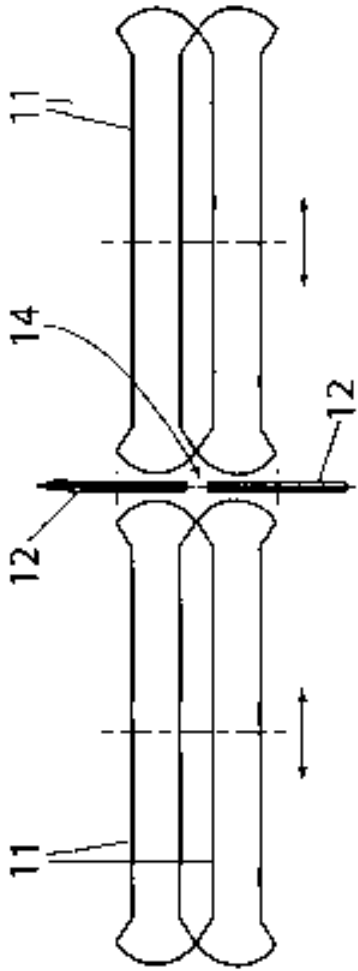


FIG. 1c

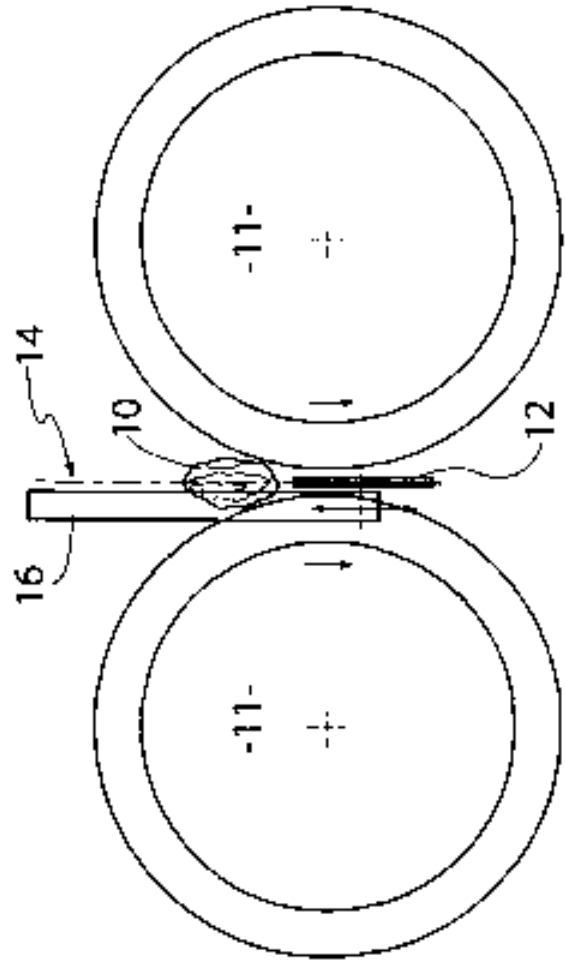


FIG. 1a

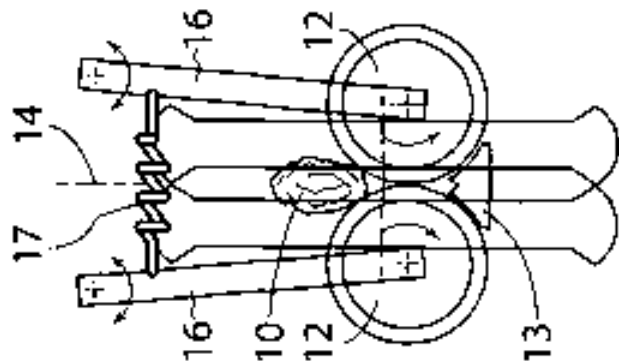
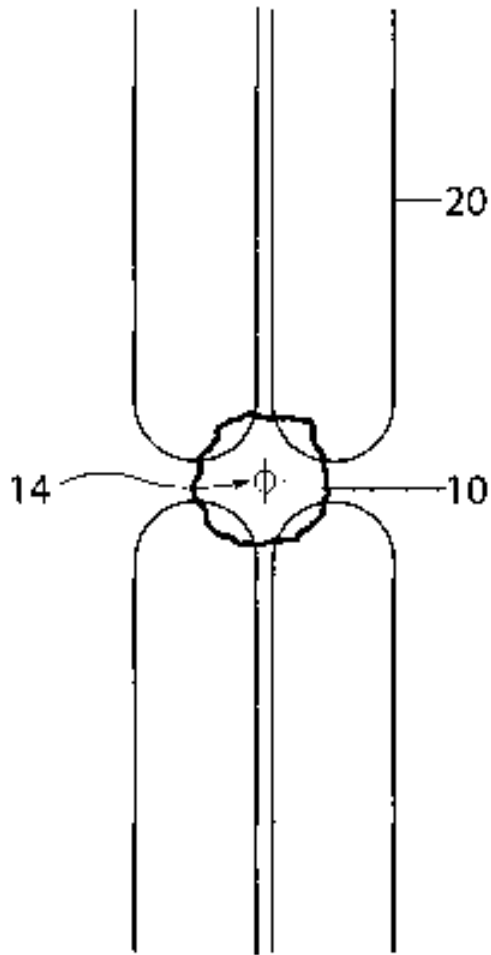


FIG. 1b

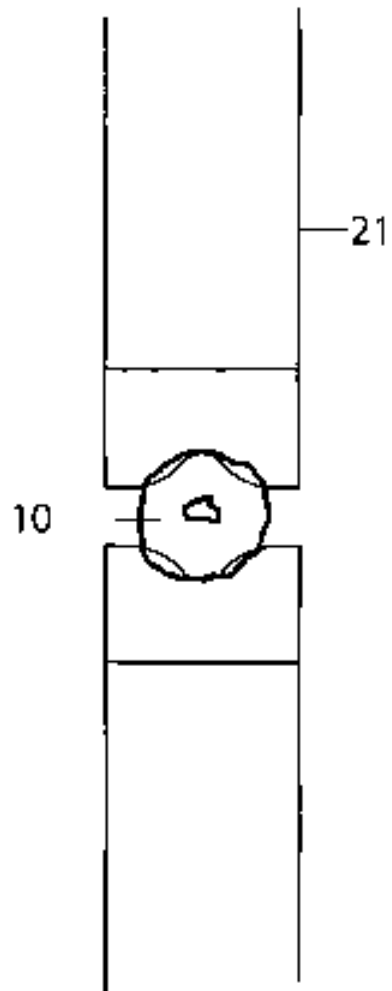
Schematic representation of the cocoa pod splitter

2/10

**FIG 2a**



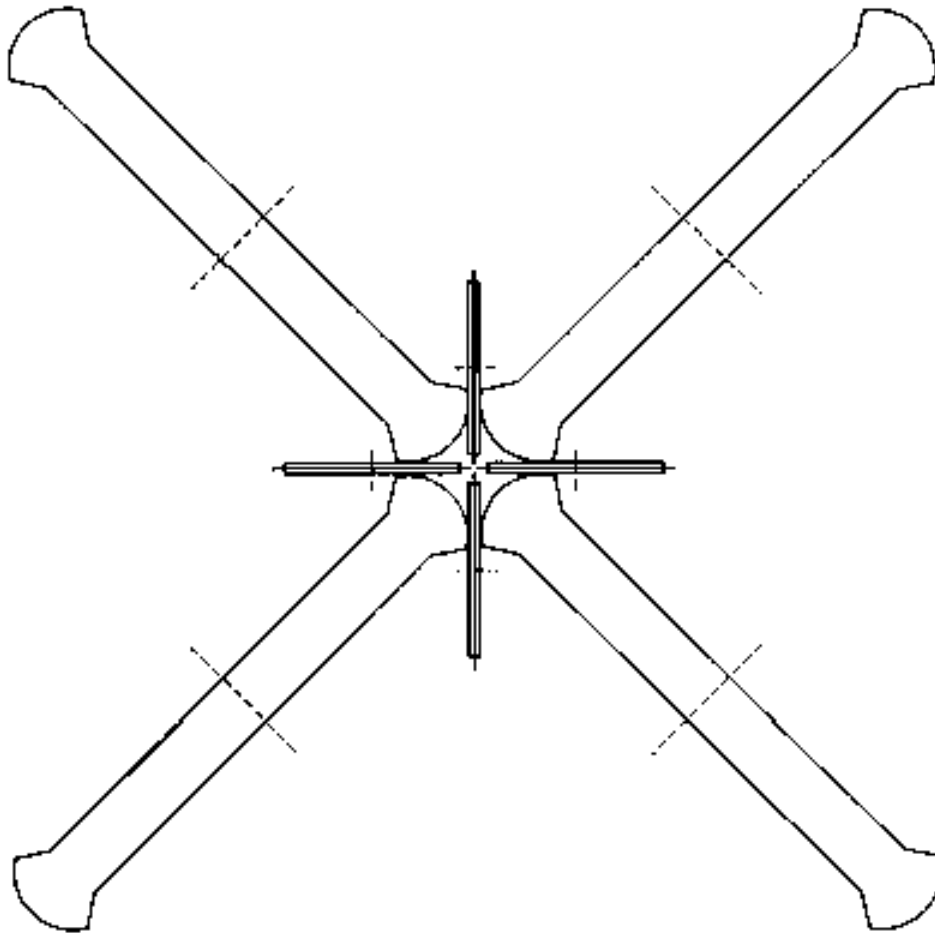
**FIG 2b**



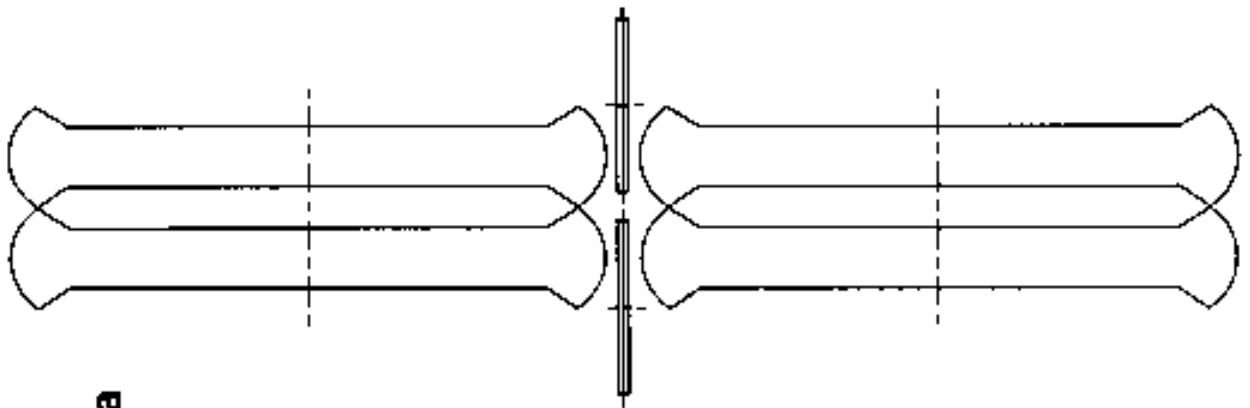
Schematic representation of the cocoa pod splitter

3 / 10

**FIG 3b**



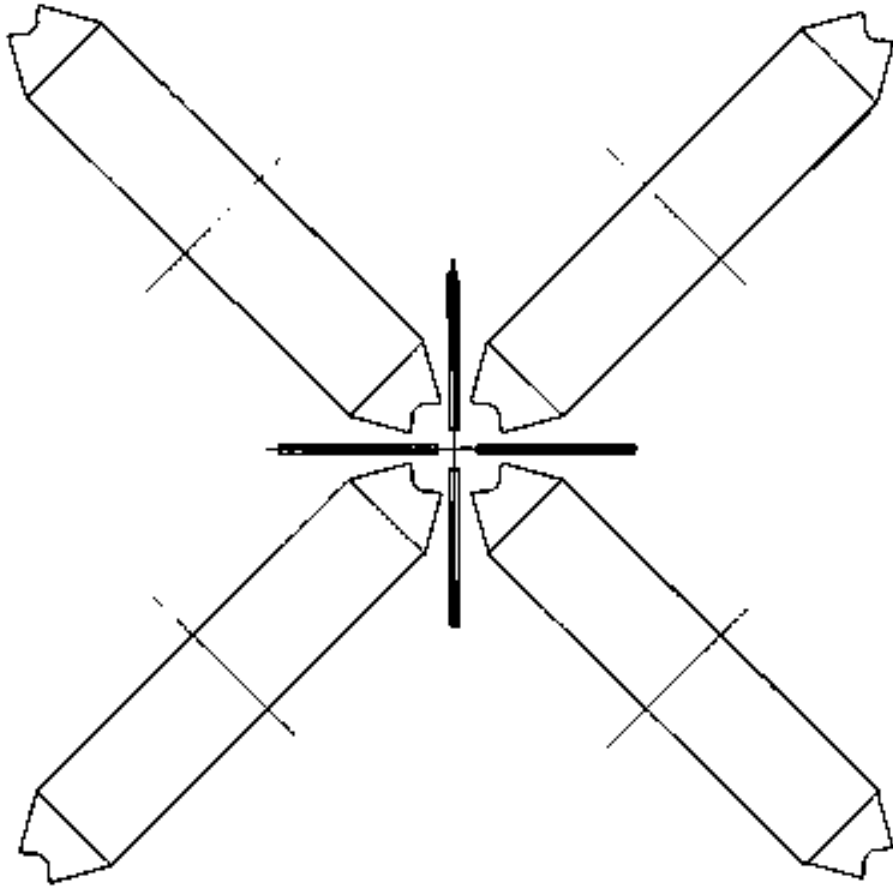
**FIG 3a**



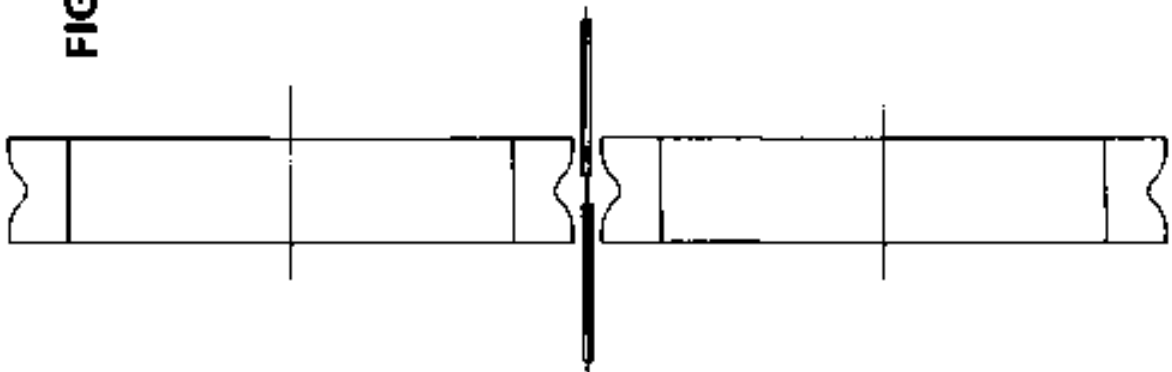
Schematic representation of the cocoa pod splitter

4 / 10

**FIG 4b**



**FIG 4a**



Schematic representation of the cocoa pod splitter

5 / 10

FIG 5b

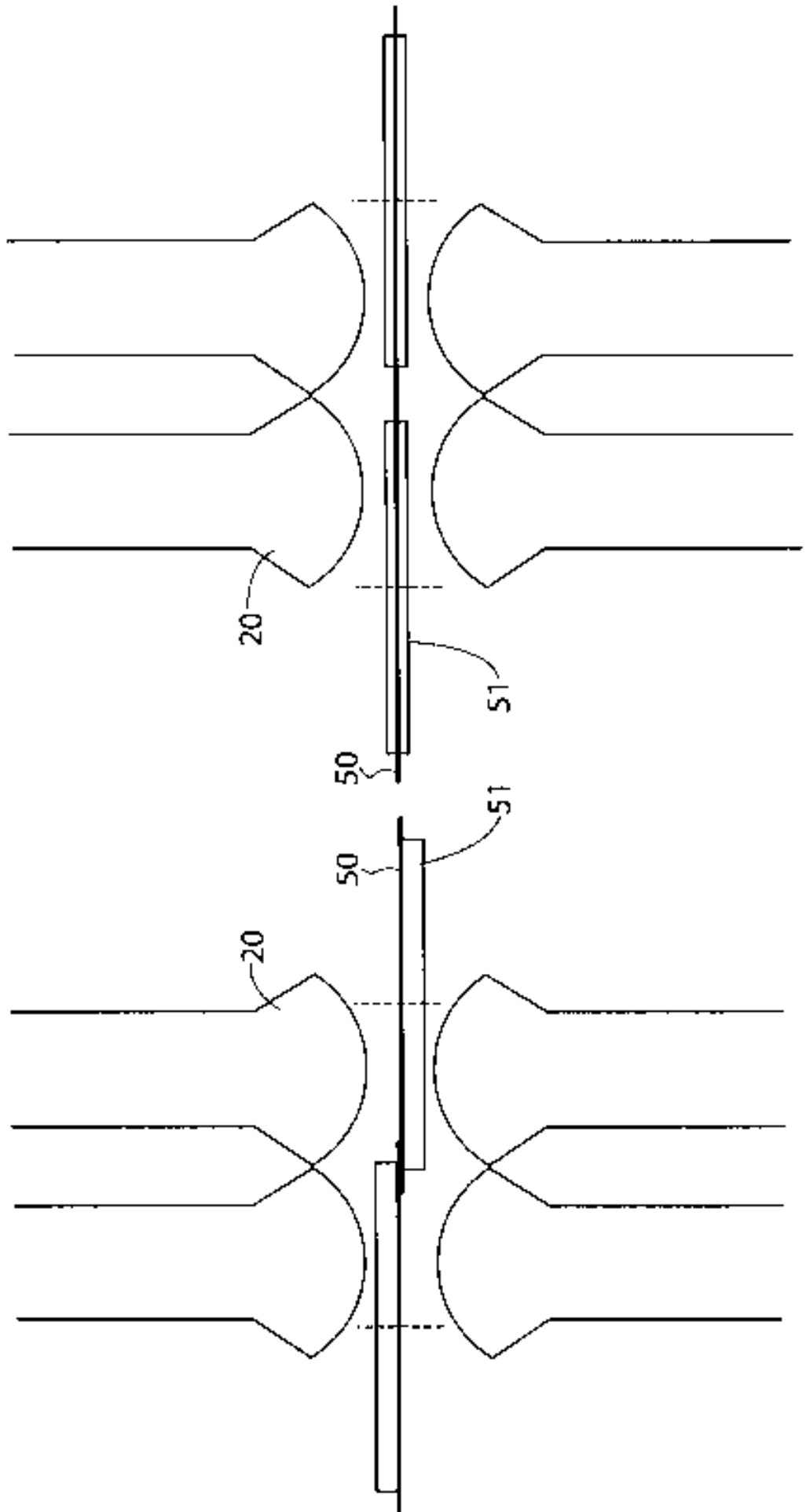
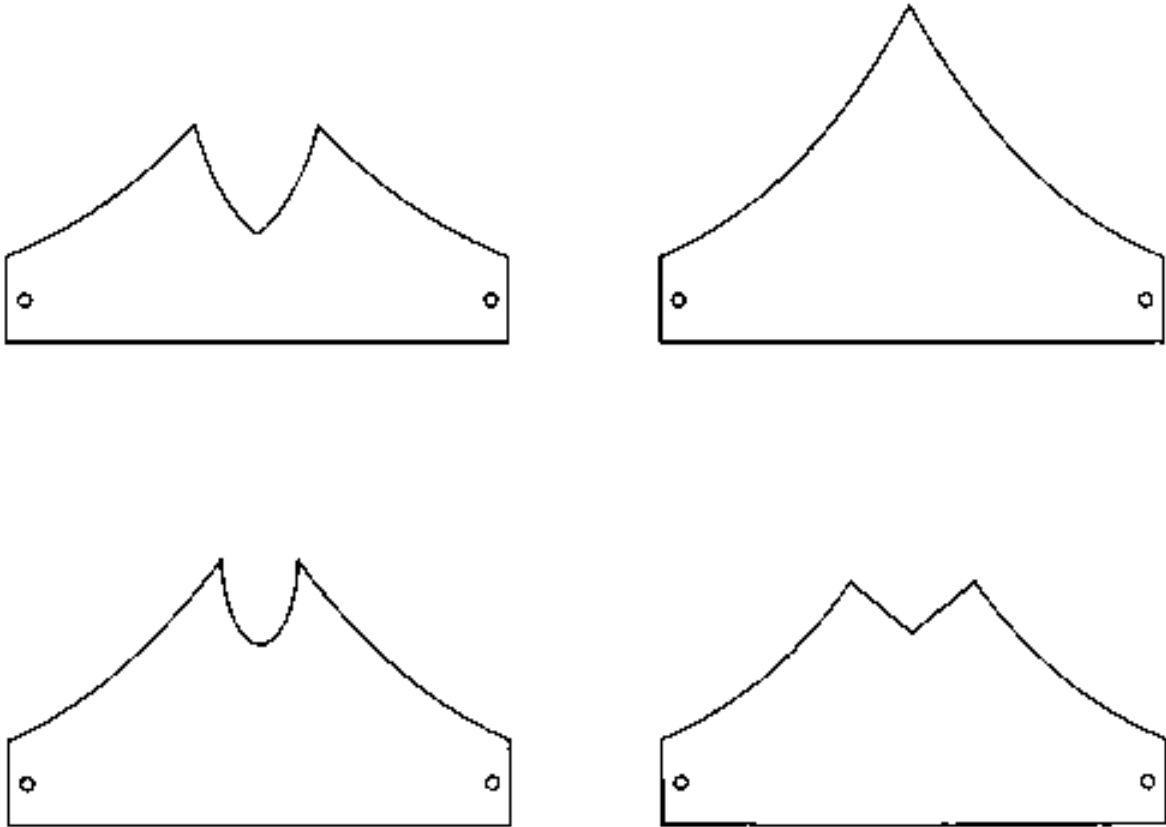


FIG 5a

Schematic representation of the cocoa pod splitter

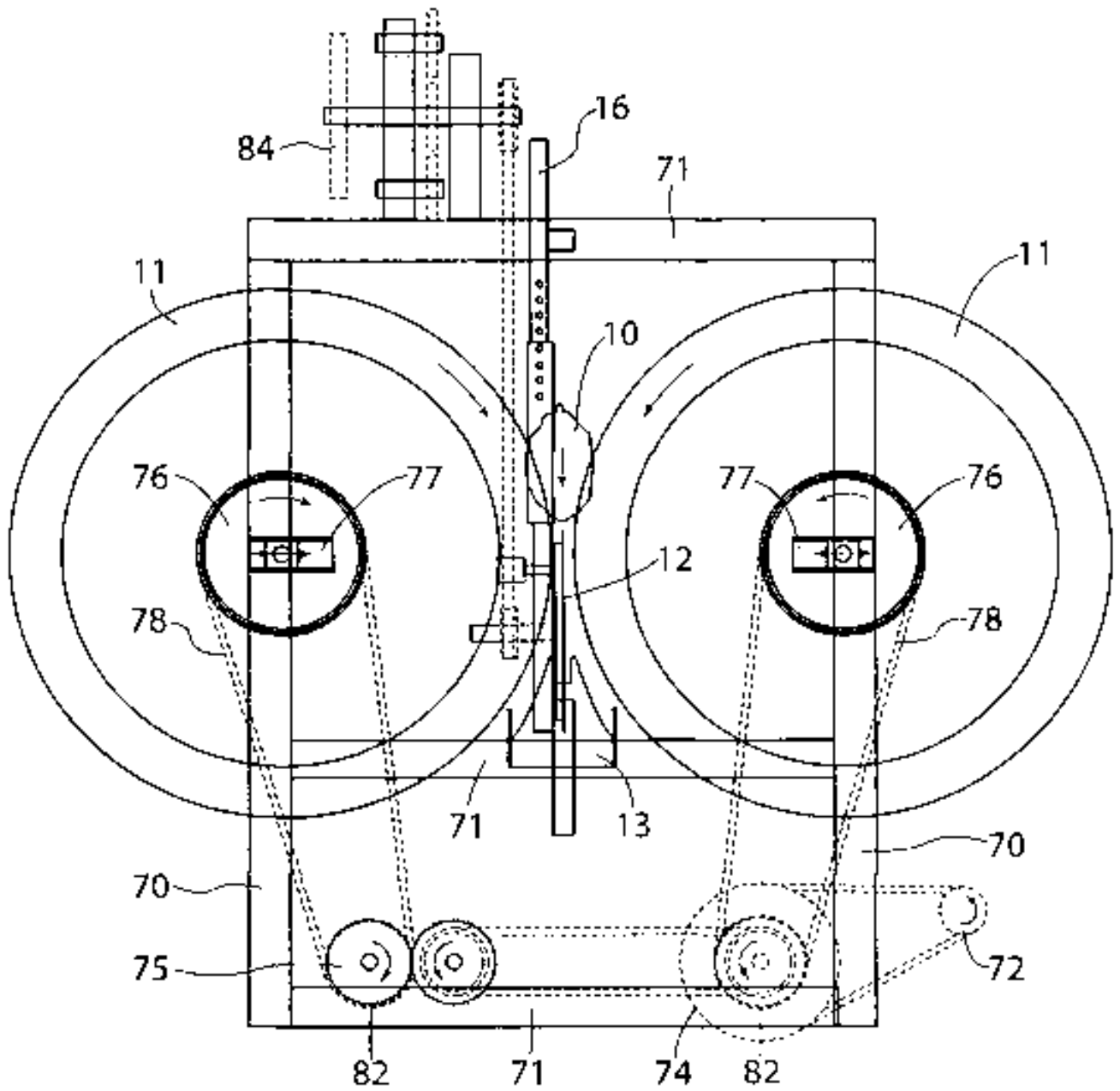
6 / 10



**FIG 6**

Schematic representation of the cocoa pod splitter

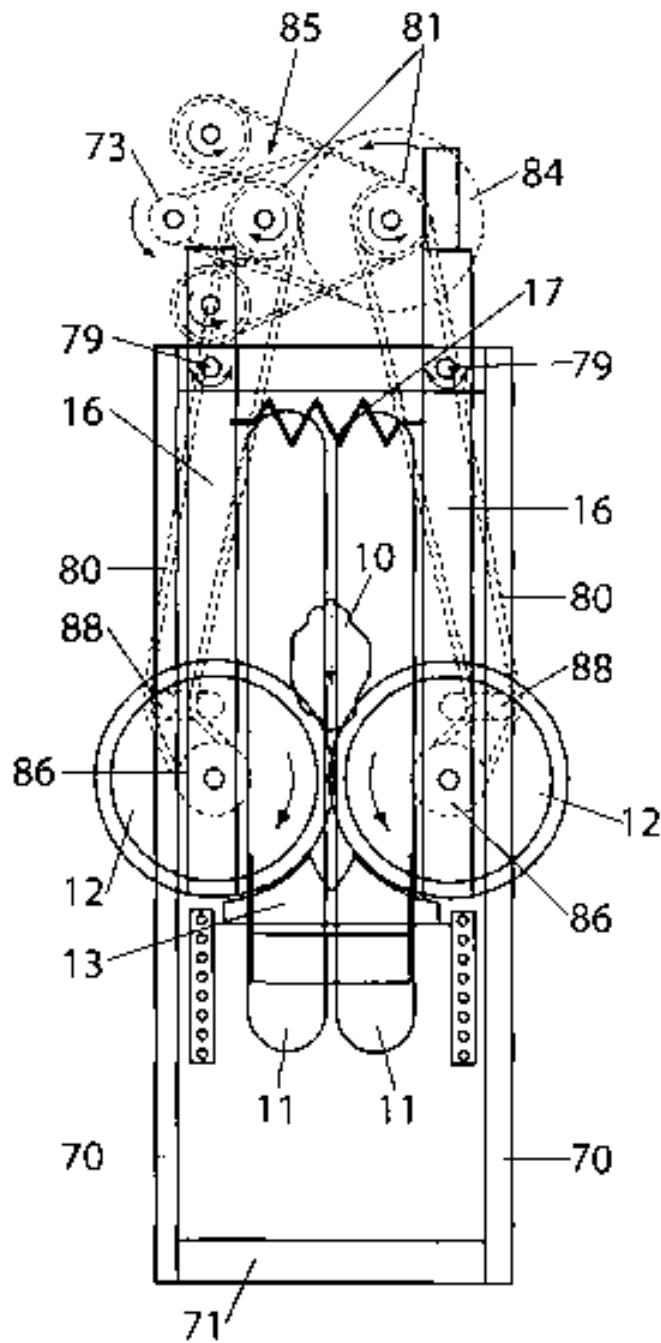
7 / 10



**FIG 7a**

Schematic representation of the cocoa pod splitter

8 / 10



**FIG 7b**



Schematic representation of the cocoa pod splitter

9 / 10

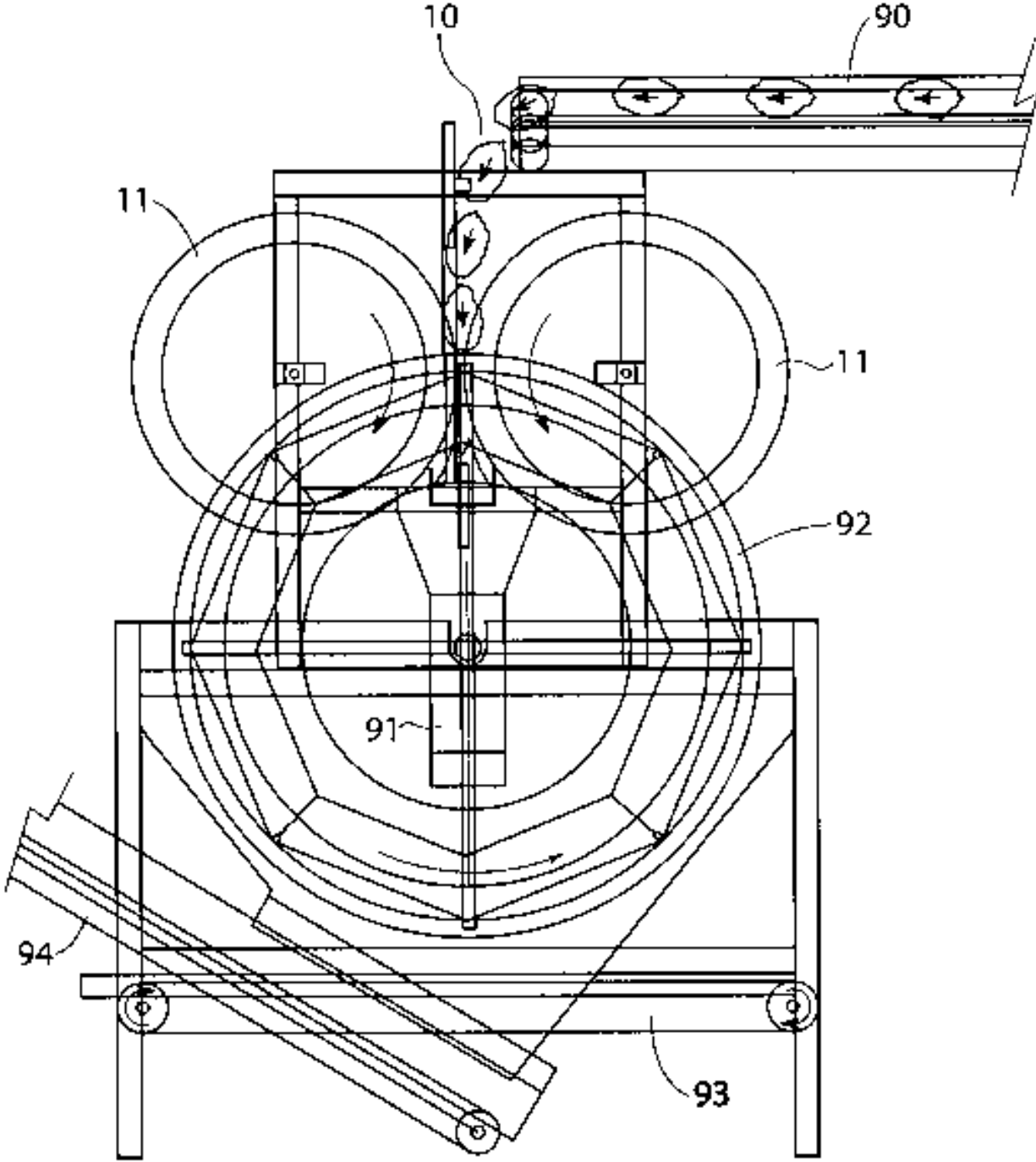
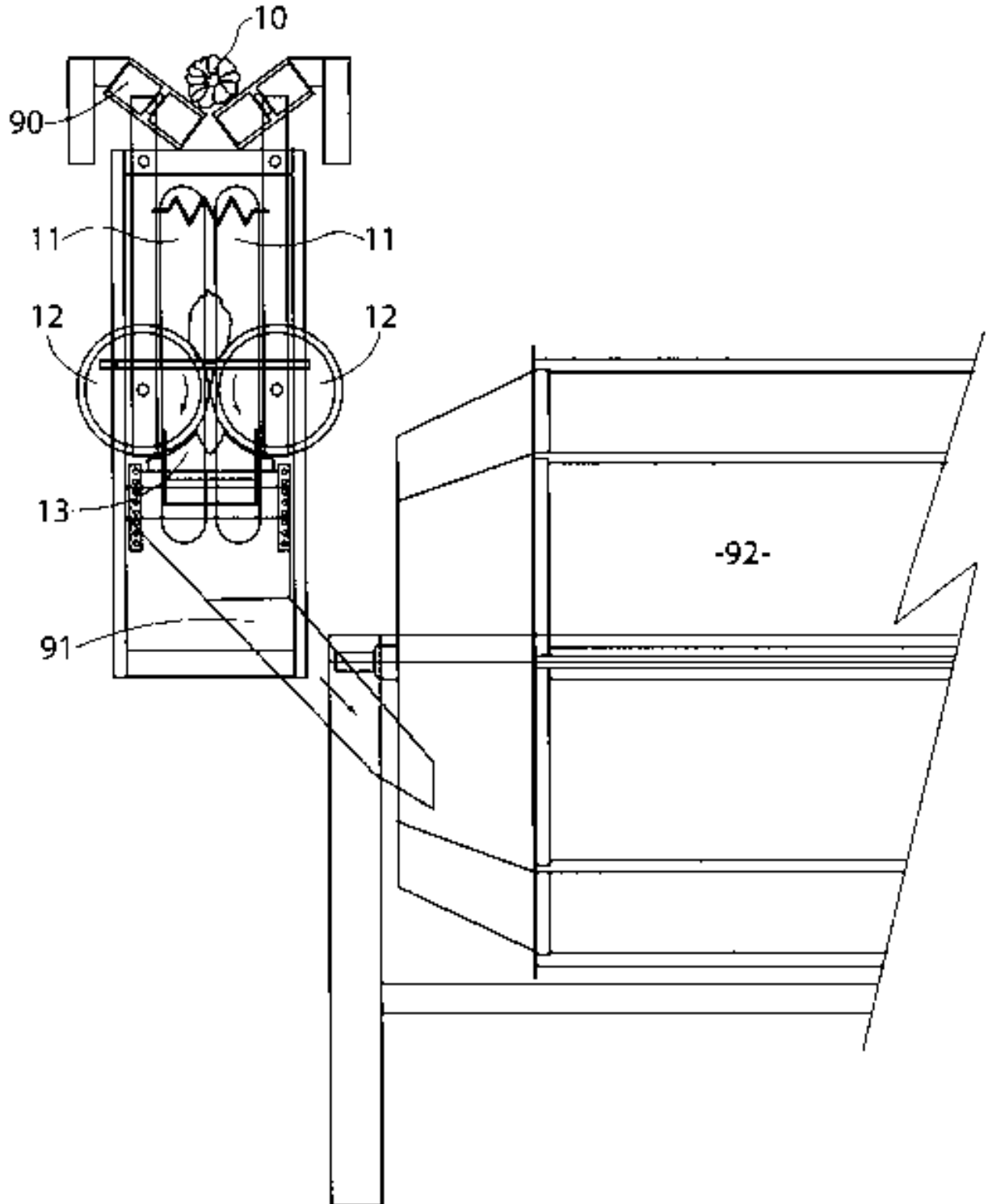


FIG. 8a

Schematic representation of the cocoa pod splitter

10 / 10



**FIG. 8b**